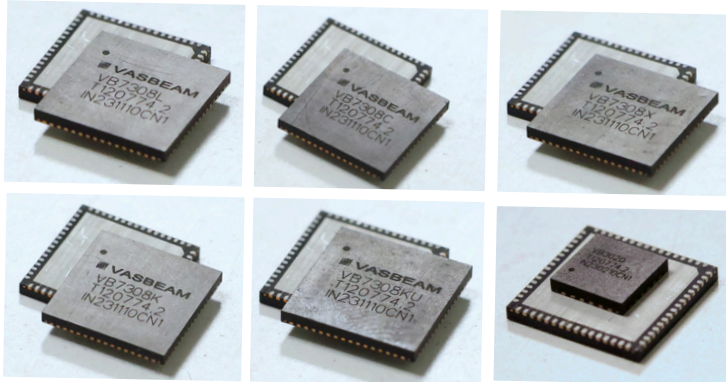


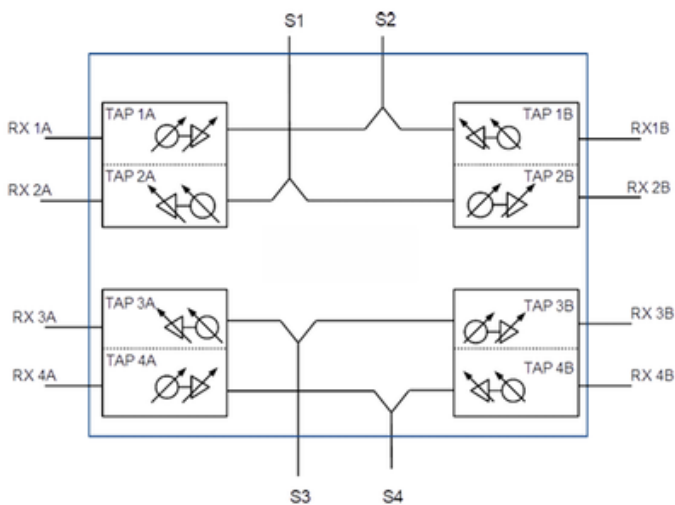
The VAS7308 multi-channel beamforming family was developed to meet the demands of phased array with beamforming technology in radar, 5G wireless communication, and satellite domains, our chips offer unparalleled versatility.

VAS7308 family covers a broad frequency spectrum from 800 MHz to 18 GHz, ensuring seamless integration across various industries.

IC



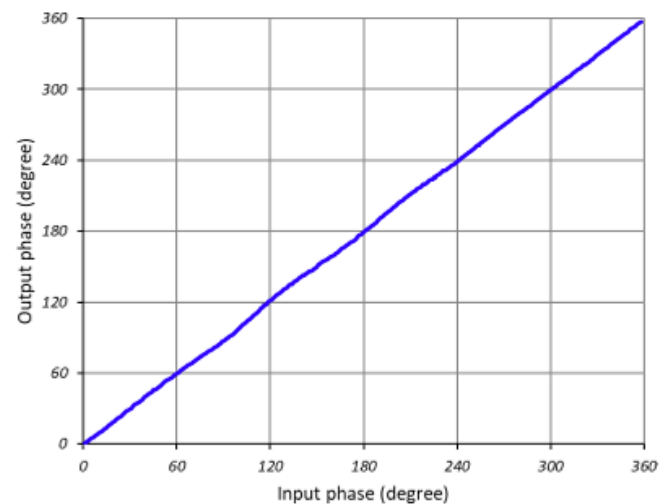
Functional diagram



Part number

Part number	Frequency band (GHz)	Type	Channels
VAS7308LR	0.5 – 3.2	RX	8
VAS7308L	0.5 – 3.2	TX/RX	4
VAS7308C	3 – 6.2	TX/RX	4
VAS7308X	8 – 10.5	TX/RX	4
VAS7308XT	8 – 10.5	TX	8
VAS7308K	10.7 – 14.8	TX/RX	4
VAS7308KU	15 – 17.5	TX/RX	4

Performance result



Key features

- 8.0 to 10.5 GHz frequency range.
- Very low RMS phase and amplitude errors: < 1-degree RMS & < 0.5 dB RMS
- 8-bit amplitude and phase control
- Independent phase and amplitude calibrations
- Flexible control of the dynamic range
- Integrated lookup tables for flexibility in the phase configuration
- SPI configuration
- Packaging – QFN 64-Lead, 9 x 9 mm

Applications

- Wireless communication
- Radars
- Active antenna arrays
- Interference cancellation

Support

- We offer the support facilitating integration of the ASICs into customer products